

Pony Lite Product Information and Technical Data Sheet

Product Information

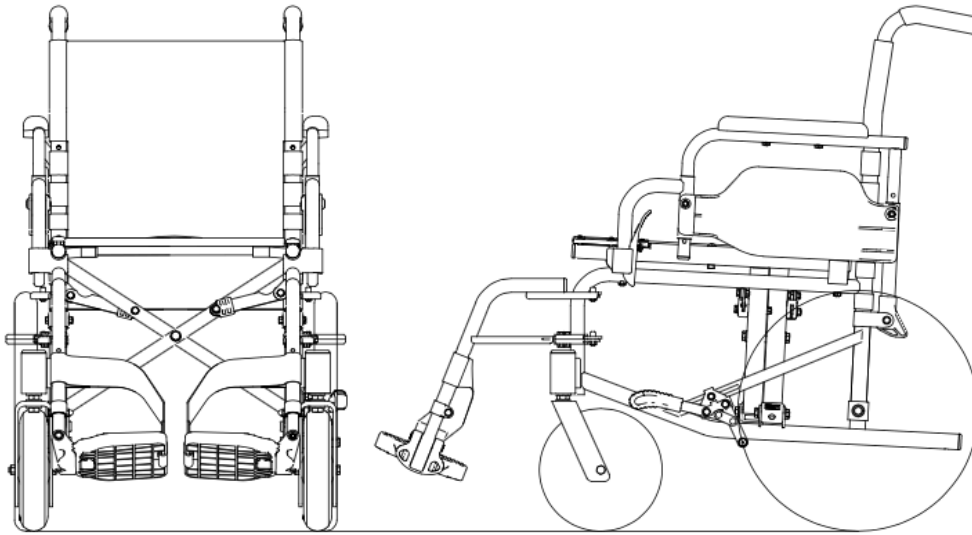
- Product Name: Pony Lite
- Participant Product Reference Number: PonyLT
- Short Description: PonyLT is the world's most durable, dedicated transport wheelchair. It is appropriate only for temporary use.
- Supplier's Contact Details
 - Participant Assistive Products
 - PO Box 156614
 - San Francisco, CA 94115, USA
 - www.participant.life
- Manufacturer's Contact Details, website product catalog
 - Zhongjin Medical Taizhou Co., Ltd.
 - No. 88 Century Rd, Jiulong Town
 - Hailing District, Taizhou City
 - Jiangsu Province, China
 - <http://www.zhjmedical.com>
 - ISO 9001, 13485 Certified
- Nissin Product Reference Number: PonyLT
- Nissin Short Description: PonyLT is the world's most durable, dedicated transport wheelchair. It is appropriate only for temporary use.
- Intended Use: The Pony mechanical wheelchair is intended to provide temporary mobility and assisted transport to persons who are limited to a sitting position.
- Contact details for person appointed for vigilance:
 - Keoke King
 - keoke@participant.life
 - 01-415-323-5965

Technical Data Sheet

- Class 1 Medical Device per FDA
- Regulatory Requirements for Marketing Clearance:
 - Pony Lite is approved for marketing in Japan. JIS Certificate Number - JE0409005
 - Approval by FDA via 510k is in process but not submitted. Submission and approval are expected in 2022.
- Additional Testing
 - FWM Rolling Road
 - ISWP Caster Test
- Packaging and Logistics Information:
 - One unit per box
 - Box dimensions: 720 x 390 x 660 mm; .18 cubic meters
 - Package Weight / Gross Weight: 22.5 kg
 - Containerization
 - 40' HC: 336 units
 - 20': 144 units
 - The HS Code for manual wheelchairs: 8713.10.0000
- Product Dimensions and Weight:

Product dimension and weight	
Component	mm/kg
Product Number	PonyLT500
Seat Width	500mm
Overall Width Not Folded	680mm
Overall Height Not Folding	945mm
Overall Width Folded	310mm
Overall Depth Folded	1080mm
Overall Height Folded	945mm
Overall Weight	20.3kg

- Product Diagram



- User Environment:

This wheelchair has been designed to accommodate both indoor and outdoor use at care facilities and private residences. The chair is capable of handling different surfaces, including dirty and uneven outdoor surfaces, but performs optimally on firm even surfaces such as concrete, asphalt and indoor flooring.

The Chair is designed to overcome a maximum obstacle height of 3" (76 mm) and operate at a maximum incline angle of 16°.

- [List of Adjustments and video bookmarks](#)

- [Clinical overview](#)
- [Swing away/removable Legrests](#)
- [Height adjustable/flip up Footrests](#)

- List of materials used on the Pony Mechanical Wheelchair

Details and Materials For Each Component		
Component	Details	Material
Frame	X-Brace Folding.	Steel with Powder Coat Finish
Seat and Back	600 D Nylon Cordura with internal non-stretch layer.	Nylon, proprietary material.
Rear Wheel - 24" (504 mm), Optional	24" solid rear tire. Wheels have quick release axles and push rims. 0° camber. 3 cross spoke wheels with stainless steel spokes and nipples. Aluminum rim is a standard 504-25 bicycle rim.	
Parts	Tire	24" x 1 $\frac{1}{4}$ "
	Bearing	6202 RS*
Wheel Locks	Push to lock	Steel
Push Handle Grips	Molded for improved grip.	Rubber
Arm Support	Removable. A plastic clothing guard is integrated into the arm support.	Texin RXT70A Resin, PP
Foot Support	Independently height, and angle adjustable.	PP*

*RS - Rubber Seal, PP - polypropylene, PU - polyurethane

- Labeling:
 - Bottom of Seat (standard layout example)



- Prescription Statement: Pony is an ‘Over the Counter’ product and no “RX ONLY” label is required.
- Warranty Details

Participant Limited Warranty

Frame, wearing parts, and consumable parts are guaranteed to be free of defects when the undamaged packing box is first opened. Consumable parts, such as tires and bearings, are not covered by warranty after first opening of the box. Wearing parts, such as brake levers and various moving parts in the seat assembly, are covered by warranty for the first 6 months after opening of the box. The frame is covered for 3 years for folding chairs and 5 years for rigid frame chairs. Modifications to the frame, inadequate storage, abuse, or failure to do maintenance will invalidate the warranty. Parts, not shipping or labor, are covered. Warranty is only valid if Participant receives the following information: Name of user, Service Provider, product serial number. The information can be transmitted by email to: hello@participant.life.

- Sustainable Goals

Participant Assistive Products is registered as a Benefit Corporation in California and is BCorp with status pending formal review in 2022 after the required quarters of revenue. Participant’s founders chose this third party monitoring system and accountability because it contributes to our corporate culture and it shapes the expectations of our investors and workers. Our BCorp commitments will help the company stay on track to our intended social mission, as per our formal California registration documents, “to increase the participation in education, work, or social activities of people with disabilities in the United States and abroad by offering affordable assistive products.”

Some of our BCorp commitments:

- Our products are evaluated by outside experts, not only in-house tests, to confirm that products pass international quality standards and these test reports are publically available.
 - We monitor and report the actual efficacy of our products. Our participants tell us if we are succeeding in increasing their participation.
 - Our management is evaluated by our board using environmental and social metrics - as are all employees.
 - People with Disabilities and LMIC residents have influence at every level of our organization and we target >50% PWD workers. Currently, we are at 80% PWD workers and 60% are LMIC residents.
 - All products have lifecycle impact assessments and focus on maximizing participation. Unlike most industry competitors, we do not do 'planned obsolescence'. Our human centered design approach is not an overlay to 'insurance coding centered design', which maximizes profits from government insurance. Our design process attempts to decrease waste, inventories, packaging, user wait times for assistive products, and our carbon footprint. Our designers seek to improve service speed, days of uninterrupted product performance per user, and days of service per dollar from the health system budget.
 - A circular approach and localization are a cornerstone of our vision. Participant is committed to localization of assembly and to a circular approach by assisting substantially with refurbishing activities. We provide upholstery drawings, supply of material, advice on choosing materials locally, local production tools, and other consulting services.
 - 5% of our net profits are donated to our non-profit partners, typically local organizations doing service provision training, so they can serve more people.
 - We all participate in the company's success. All employees receive a share of company profits as owners, regardless of where they live.
 - To battle corruption and destabilize the status quo of artificially inflated pricing, our pricing is transparent. We make public our Social Impact Price to Low and Lower Middle Income Countries, as per the World Bank, and the NGOs who serve there. Also, we make public our ceiling price for wealthy markets, which is typically 30% of market rate. Also, we do not offer exclusive sales licensing contracts. And, we sell direct via ecommerce whenever possible so that user's have maximum choice and the full supply chain can be simple and transparent.
-
- Recommended storage/ transport conditions
The recommended conditions are -10° C - +70° C and 0 - 90% Relative Humidity.
 - Shelf life in months
The Pony is made of stable materials, primarily steel with a powder coat finish, and has no expected degradation during shelf life. The seat and back cushion are made of nylon which not is sensitive to humidity and temperature. The product is packaged such that

the unopened package protects the product from changes in the recommended storage environment. There is no expectation of degradation prior to the beginning of use.

- Recommend safe and responsible method waste disposal

The upholstery is non-recyclable, household trash. The steel frame and steel parts are recyclable metals. The PU tires are recyclable in some locations, though these are uncommon in resource limited environments.

Regarding Product Lifecycle Management, the frame and metal parts are likely to be reusable by many users as they are overbuilt, exceeding ISO double drum durability test standard of 200,000 cycles by 2X, for the purpose of reliability use in adverse conditions by very active users. Most users are not so active and the lifespan may serve several users. Please reference the notes in the UNICEF Bid Cover Letter by Participant for resources, procedures and recommendations on reuse.

- List of supporting items required but not supplied

No additional supporting items are required.

- Sterilization

Sterility requirements are not applicable for this product.

- Hazardous goods

No hazardous goods or materials are in the product or packaging.